

THE BRAUN CORPORATION[®]

APPLICATION GUIDE

2 0 0 5 V O L U M E 3 , I S S U E 1



VL955 VISTA SERIES

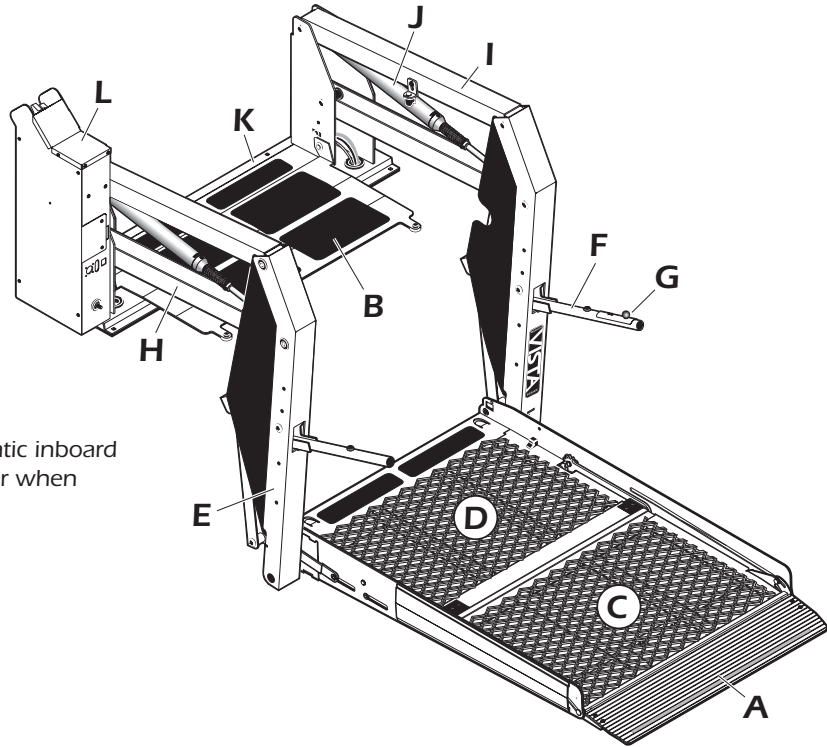
VL955 Vista Series Models

VL955U3144

Useable Platform:
31" x 44"
(79 cm x 112 cm)

VL955U3144IB

Useable Platform:
31" x 47"
(79 cm x 119 cm)



IB = Inboard Barrier For an automatic inboard barrier, add "IB" to the model number when ordering (example: VL955U3144IB)

A - Automatic Outboard Roll Stop (ARS)	G - Handrail-Mounted Up/Down Switch
B - Bridge Plate (non-IB models)	H - Bottom Parallel Arms (2)
C - Outboard Platform	I - Top Parallel Arms (2)
D - Inboard Platform	J - Cylinder (2)
E - Vertical Arms (2)	K - Base Plate
F - Handrails (2)	L - Pump Module & Control Switches

Lift Accessories



62400-000

Side Swing In-Door Operators



15606A Hand-Held Control Station Kit

- Included at no charge when specified on a lift without door operators
- Controls Lift Functions Only



26430A Six-Touch Remote Control System

- Controls all lift functions as well as door operators (if so equipped)

26427A Extra Transmitter for Six-Touch



23170A

Side Slide Door Operator for 1999 & Up VW



26230A

Threshold Warning Kit

30833K Retrofit Lift-Tite Kit - stows the lift platform securely while the vehicle is in transit

Technical Specifications

General Function: Electrohydraulic, power up/gravity down operation

Operation: Hydraulic pump with two lifting cylinders

Control: Module mounted switches, handrail Up/Down switch, optional hand-held control and remote

Hydraulic: Pressure Max. 2,495 psi (172 bar), Fluid is Dextron 3 (ATF), Oil reservoir is .33 gal (1.25 L)

Construction: Steel structure with powder coat finish

Lift Weight: 340 lbs (154 kg)

Lifting Capacity: 600 lbs (272 kg)

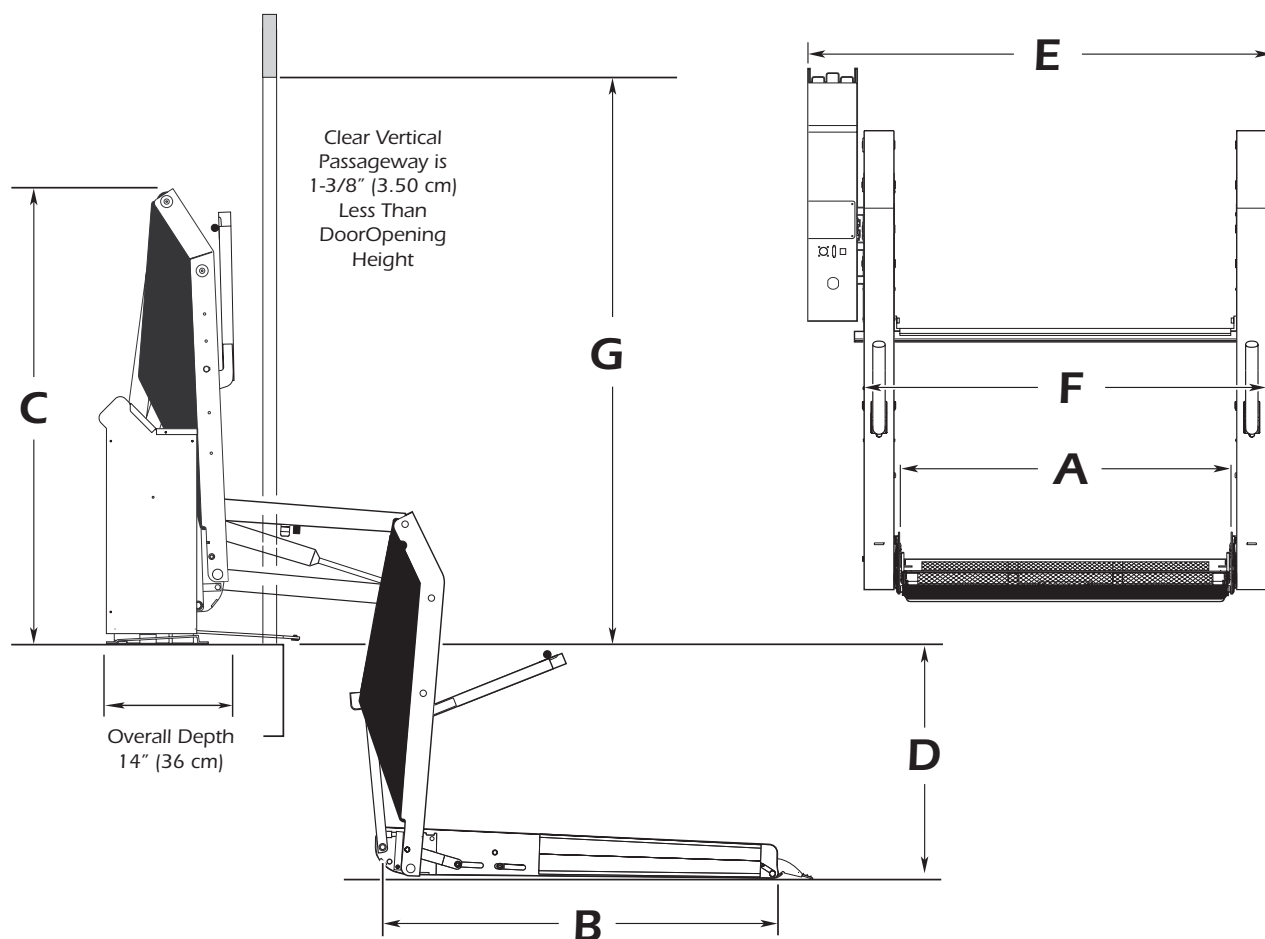
Operating Temperature: 19°F to 149°F (-7°C to 65°C)

Power Supply: 12V DC

Current Consumption: Max. 70A (12V)



Lift Dimensions



VL955 Vista Series			A	B	C	D	E	F	G
Lift Model Number	Operation		Clear Platform Width	Clear Platform Length	Overall Lift Height	Max. Floor to Ground	Overall Lift Width	Min. Clear Door Opening Width	Min. Clear Door Opening Height
	User	Attdt.							
VL955U3144	X	X	31"(79cm)	44"(112cm)	47.5"(121cm)	42"(107cm)	46"(117cm)	40"(102cm)	47"(119cm)
VL955U3144IB	X	X	31"(79cm)	47"(119cm)	47.5"(121cm)	42"(107cm)	46"(117cm)	40"(102cm)	47"(119cm)

All dimensions are for reference only.

Lift Features



- ✓ fully automatic lift, operated by the wheelchair occupant or an attendant
- ✓ parallel arm lift with hydraulic cylinders
- ✓ unique stacking platform improves driver and passenger visibility through the window and allows access to the door lock normally blocked by the platform
- ✓ color-coded rocker switches integrated on the lift
- ✓ additional up/down switch is mounted on the handrail
- ✓ optional operation by hand-held control box
- ✓ optional operation by remote control
- ✓ side or rear door application
- ✓ dual handrails for security and convenience
- ✓ mechanically operated Automatic Roll Stop (ARS) that will be in the fully up position as the platform leaves the ground
- ✓ mechanical Inboard Barrier (IB models), ensuring extra safety for the wheelchair occupant
- ✓ bridging feature permits the wheelchair user to board the lift from sidewalks or inclines
- ✓ integrated back-up pump
- ✓ designed for use with automatic door operators
- ✓ equipped with an adjustable anti-rattle feature to avoid unpleasant noise in the vehicle during transit
- ✓ durable high-gloss powder coated finish
- ✓ pump module with removable cover offers easy access to all components



www.braunmobility.com

ISO 9001:2000

Headquarters:

631 West 11th Street, P.O. Box 310
Winamac, IN 46996, USA
Phone: +1 574 946 6153
Fax: +1 574 946 4670

European Office:

PB. 56 Bogerud, 0621 Oslo, NORWAY
Phone: +47 22 62 80 75
Fax: +47 22 62 80 78
E-mail: braun@brauneurope.com