

# Bring your wheelchair along!



 **auto**<sup>®</sup>  
**ADAPT**  
for your independence

INVENTIONS FOR QUALITY OF LIFE

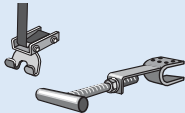
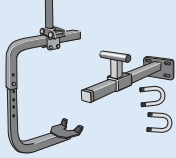

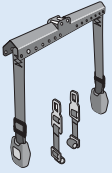
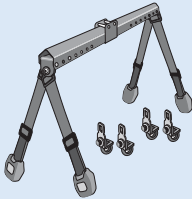


*All products presented in this brochure are CE-marked, crash tested and in compliance with standards and regulations for equipment installed in vehicles.*

# Docking device for wheelchair hoists

*It is only the hoists that need an optional docking device. The Roof Spider roof box is delivered with a special lifting device.*

The choice of docking device is optional and must be ordered separately.

<p><b>The loop</b> For manual wheelchairs</p>	100621		
<p><b>Pulley</b> Can only be used with Carolift 90</p>	101666		
<p><b>Carony docking device</b> Specially designed for Carony wheel units</p>	101518		
<p><b>Clamping claw</b> For folded manual wheelchairs placed vertical. Max 25 kg.</p>	101147		
<p><b>Claw and T-bar</b> For folded manual wheelchairs placed horizontal Max 25 kg.</p>	101148		
<p><b>C-arm and T-bar</b> For power chairs/scooters with seat. Max 180 kg.</p>	101149		
<p><b>Claw and T-bar</b> For power chairs/scooters without the seat. Max 90 kg.</p>	101150		
<p><b>2-point lift belt</b> For all types of wheelchairs up to 90 kg.</p>	101151		
<p><b>4-point lift belt</b> For all types of wheelchairs up to 180 kg.</p>	101152		

# Roof Spider

MAX



## Loads from both sides of the vehicle



**ROOF**<sup>®</sup>spider

Thanks to the fact that Roof Spider loads from both sides of the vehicle it doesn't matter if you want to drive the vehicle or travel as a passenger. By using the hand held control you can choose from which side you want the wheelchair to be picked up.

The roof box is designed for a folded manual wheelchair of maximum 25 kg.

- Loads the wheelchair from both sides of the vehicle
- Low weight, 54 kg unloaded
- Low height, 47 cm from roof rack
- Crash tested and CE-marked

## This is how the wheelchair is loaded

Make your transfer to the vehicle seat.

Place the wheelchair in a suitable position for the lifting device.

Press the hand control button corresponding to the side from which the wheelchair shall be picked up. Now the lid opens and the lifting device is lowered towards the wheelchair.

Fold the wheelchair and hook the lifting device between the sides of the seat.

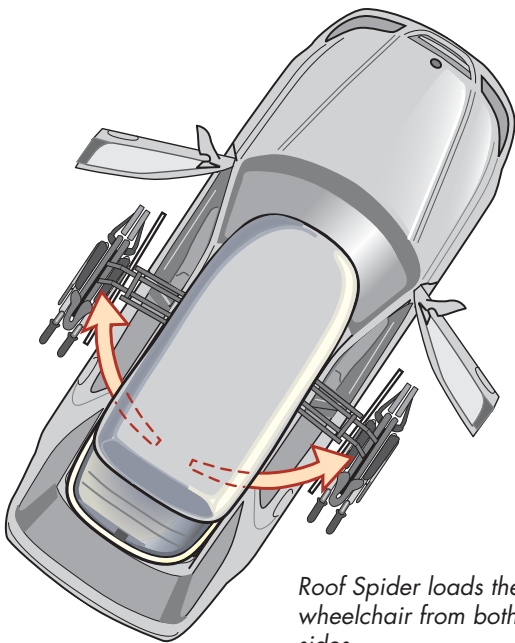
Press the hand control button (arrow up) to load.



*The hand held control*



# Roof Spider



Roof Spider loads the wheelchair from both sides.

## Comfort

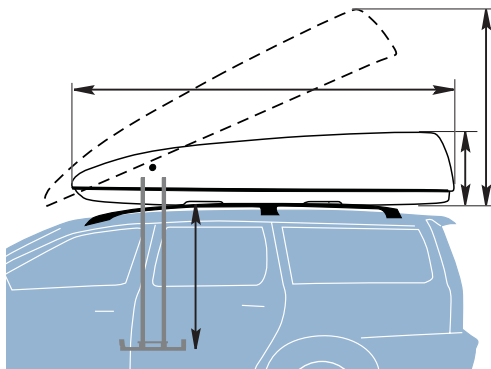
With Roof Spider you don't need assistance from other people.

With the wheelchair in the roof box you won't get your vehicle compartment dirty or your luggage area restricted.

Thanks to the low weight (54 kg unloaded) you have a choice of most vehicle makes and models. Bear in mind that the roof box adds 47 cm to the vehicle height above roof rack if you have a garage door height limit to consider.

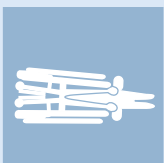


The lifting device for the wheelchair

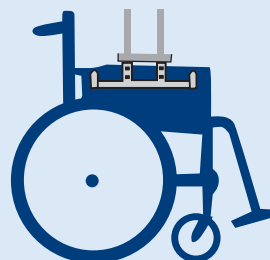
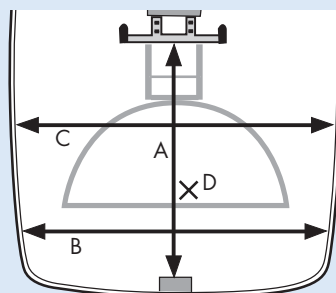


Length (A).....	230 cm
Width.....	127 cm
Height (B).....	47 cm
Height, lid opened (C).....	110 cm
Maximum distance from roof box to lifting device (D).....	120 cm
Weight.....	54 kg
Maximum load.....	25 kg
Voltage.....	12 V
Power consumption, lid closed.....	4.5 mA
Power consumption, lid open.....	60 mA
Power consumption at work.....	2 - 12 A
Fuse.....	Automatic fuse 10 A

## Load:



Folder manual wheelchair  
Max. 25 kg



- A) From lower end of lifting device to lock: 82,5 cm
- B) 114 cm
- C) 120 cm
- D) Height from point x up to the lid: 35 cm

# Carolift 40

## With a bendable hoist arm

MAX



*With one hand on the switch for up/down, placed on top of the hoist arm*

### Flexibel position

The hoist arm is bendable both ways providing an almost endless variety of positions for loading the wheelchair. This way the wheelchair is able to pass through narrow door openings, bypass wide bumpers or to be picked up from the pavement beside the vehicle.

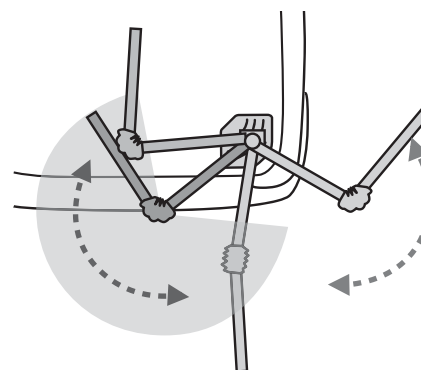
With Carolift 40 the wheelchair can enter the luggage compartment in a more centred position compared with using a rigid hoist.

The lifting and lowering is operated by a switch on top of the hoist. The swivel movement is made manually. Lift capacity 40 kg.

### The hoist folds to the floor

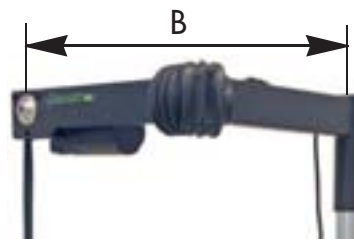
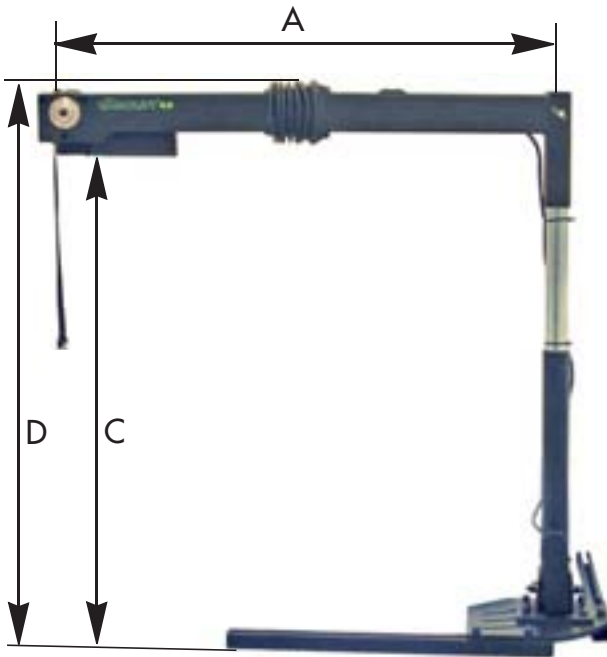
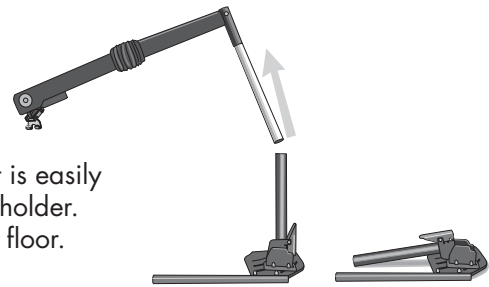
Once the wheelchair has been loaded the hoist shall be folded to the floor, even if the hoist is installed in a vehicle with high ceiling height. The hoist weighs 11 kg.

**CAROLIFT® 40**



# Carolift 40

When the hoist is not needed it is easily removed by pulling it out of its holder. The holder is then folded to the floor.

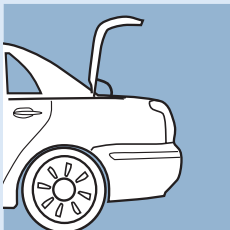


## Measurements:

- A = From cc pillar to lift belt, maximum..... 795 mm
- B = From cc pillar to lift belt, minimum..... 530 mm
- C = From hoist arm bottom edge to vehicle floor.. 755 mm
- D = Total height, maximum..... 875 mm
- Total height, minimum..... 655 mm
- Length of lift belt..... 1380 mm

## Other specifications:

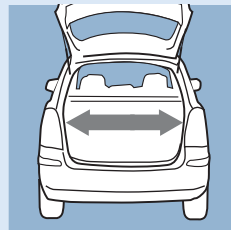
- Weight, not including mounting bracket..... 11 kg
- Voltage..... 12 V
- Power consumption at maximum load..... 5 A
- (The power can be supplied from the 12V compartment socket)



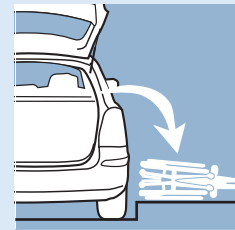
Can be used in a sedan



Can be used in an Estate wagon with a sloping rear door

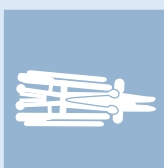


Can be used in a vehicle with a narrow door opening



Can pick up the mobility device from the side (pavement)

## Load:



Manual wheel-chair max. 40 kg.



The Carony wheel unit

UP/DOWN		POWERED
IN/OUT		MANUAL

# Carolift ASL 325

MAX



## A take-apart hoist for small areas



Carolift ASL 325 is a take-apart hoist, designed to fit in a sedan vehicle. The hoist is mainly intended for a power wheelchair or scooter with removed seat. Taken apart, there are two pieces that can be placed anywhere inside the vehicle. The heaviest weighs about 6 kg.

The powered lifting and lowering is operated by a switch on top of the hoist arm and the swiveling in and out is manual.

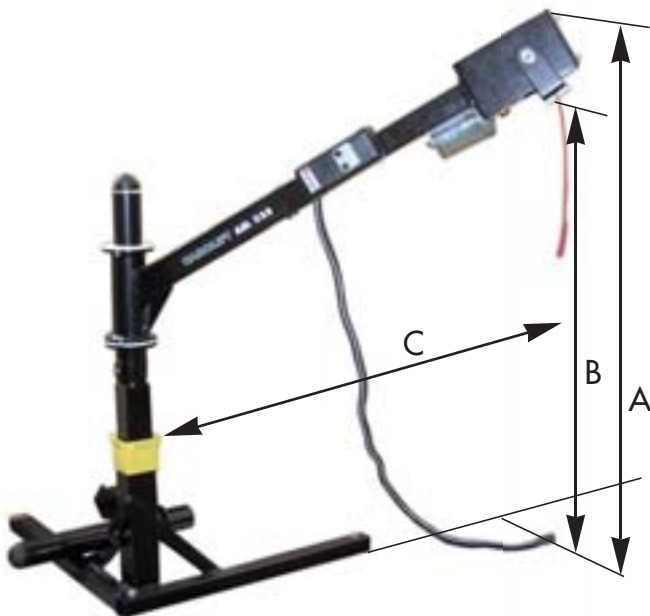
The lift capacity is 82 kg.  
For a docking device that suits the wheelchair, please refer to page 5.



*Loosen the docking device from the wheelchair and take the hoist apart. the heaviest part weighs 6 kg.*

# Carolift ASL 325

The two hoist parts can be placed anywhere inside the vehicle.



The docking device "Claw", combined with a "T-bar" mounted on the wheelchair.

## Measurements:

A= Total height over vehicle floor:  
94.5 cm - 105 cm

B= From upper visual end of lift belt to  
vehicle floor: 81 cm - 92cm

C= From lift belt to pillar:  
62cm - 82cm



Sedan vehicles



Estate wagon with a sloping rear door

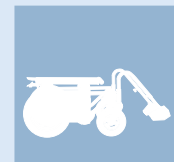
## Load:



Power chair with  
removed seat.  
Max. 82 kg



Scooter with  
removed seat  
Max. 82 kg



Carony Go  
wheel unit

UP/DOWN 

POWERED

IN/OUT 

MANUAL

# Carolift 90

A neat hoist for estate wagons and MPVs

MAX



## Pleasant to hold on to

The Carolift 90 stows a load of maximum 90 kg. Lifting and lowering, as well as the swiveling movement is operated by a hand held control. The hoist arm has a flock coating to make it soft and pleasant to hold on to when it is cold outside. The Carolift 90 takes up a relatively small space in the luggage compartment and leaves a clear view through the rear window when swiveled towards the front or lowered.

## Foldable

For safety reasons, the hoist shall be lowered to the floor when not in use.

## Adjustable to fit the vehicle

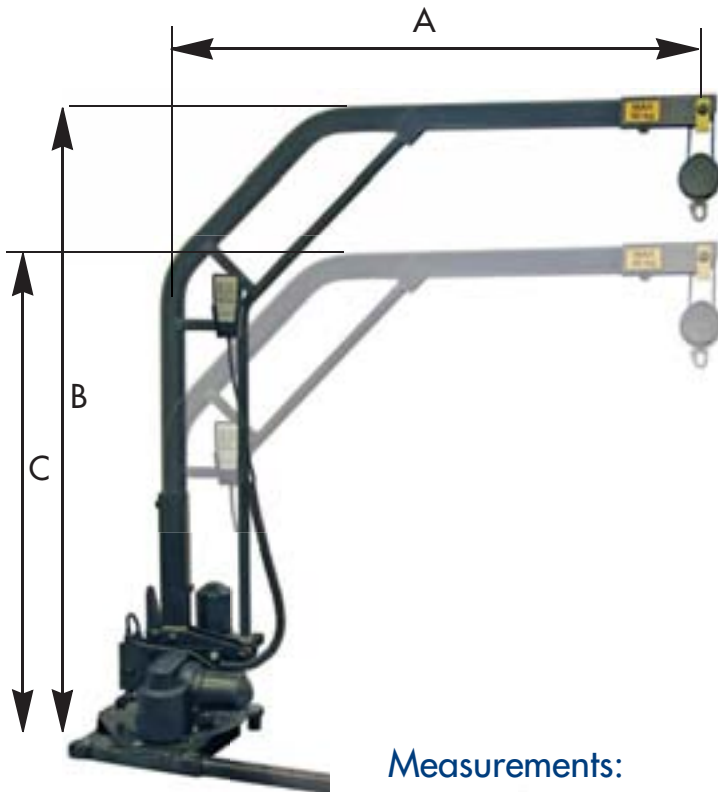
The hoist is delivered with maximum measurements but shall be length adjusted by cutting to fit the vehicle when installed.

**CAROLIFT® 90**



*The hoist has a flock coating which makes it pleasant to hold on to in cold weather.*

# Carolift 90



*The hoist swivelled towards the front*



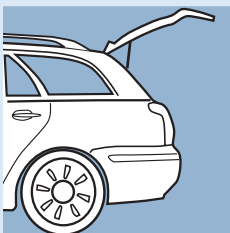
*The hoist folded to the floor*

## Measurements:

A = From pivot point to lifting device:	830 mm
B = From top of hoist to vehicle floor:	1050 mm
C = From top of hoist to vehicle floor, maximum cut:	810 mm

## Other specifications:

Weight, including mounting bracket.....	15 kg
Voltage.....	12 V
Power consumption at maximum load.....	< 10 A



*Estate wagons, MPV*

UP/DOWN  POWERED

IN/OUT  POWERED

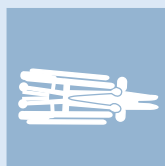
## Load:



*Carony Go wheel unit*



*Rigid manual wheelchair*



*Folded manual wheelchair*



*Powered W Ch max 90 kg*

# Carolift 6000 /6900

MAX



Can pick up a wheelchair from the side of the vehicle



The hoist arm of Carolift 6000/6900 has an off-set design (like two “elbows”) which enables loading from the side of the vehicle. This means you can keep the wheelchair placed on the pavement thus not needing to descend to street level.

## Modularity

The height of the hoist pillar, as well as the length of the hoist arm, is easily adjusted to fit the specific Estate Wagon or MPV vehicle. In addition to this the hoist head can be angular adjusted to optimise the form of the rear door opening.

The hoist arm off-set feature provides an excellent installation in vehicles with an extra sloping rear door design.

The Carolift model 6900 has a telescoping hoist head to pass through narrow door openings or to bypass wide bumpers.

## CAROLIFT® 6000 / 6900

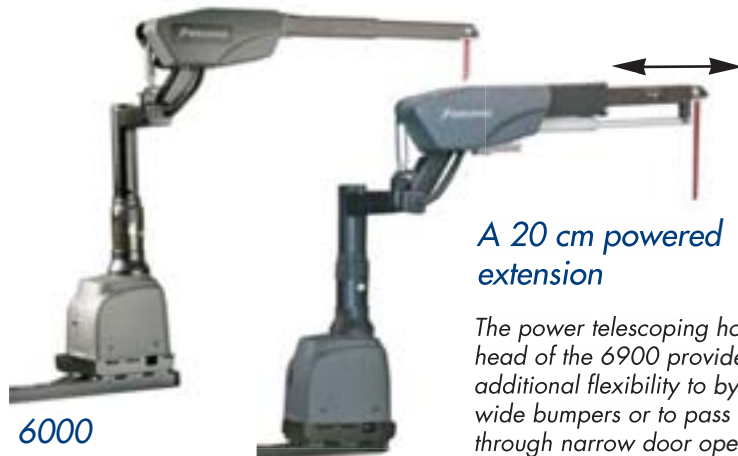


*Carolift 6000 /6900 can pick up a wheelchair from the side of the vehicle.*

# Carolift 6000 / 6900



Carolift 6000 lifts up to 180 kg.



6000

6900

**A 20 cm powered extension**

The power telescoping hoist head of the 6900 provides additional flexibility to bypass wide bumpers or to pass through narrow door openings.

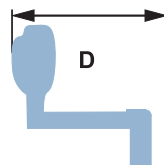
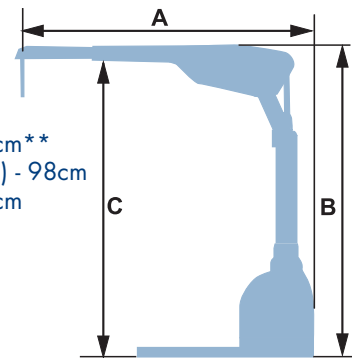


Carolift 6900 (telescoping lift head) lifts up to 180 kg.

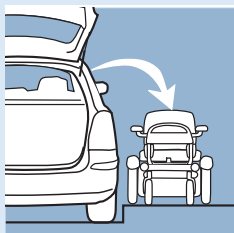
## Measurements:

	6000	6900
A	60cm - 83cm	63cm - 83cm**
B	86cm (76*) - 104cm	81cm (71*) - 98cm
C	81cm - 99cm	71cm - 88cm
D	54cm	53cm
Lift belt at maximum A:	110cm	
Lift belt at minimum A:	141cm	

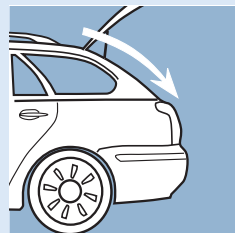
\*Drill an extra hole and cut.  
\*\*Including 20 cm telescoping extension.



Adjustable height and length  
Adjustable lift head angle  
Foldable lift head  
Adjustable end position up to 360°  
Power consumption at maximum load: < 10 A



Picks up the load from the side of the vehicle



can be used in an estate wagon with a sloping rear door

UP/DOWN	↑ ↓	POWERED
IN/OUT	↶ ↷	POWERED

## Load:



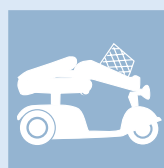
Power wheel-chair  
max 180 kg



Power wheel-chair  
max 180 kg



Scooter  
max 180 kg



Scooter  
max 180 kg



The hoist can be folded and thereby out of the way.

# Joey Hardwire platform lift

Press a button and Joey does the job



*Joey is shown here with the optional retractable belts*



## Now in a new improved version

The Joey platform lift demands very little effort from the user - just drive on to the platform, secure the wheelchair or scooter, press the hand control button and the job is done. The platform is designed for front wheel - or rear wheel driven as well as mid wheel driven wheelchairs.

The power for the new Joey Hardwire is supplied directly from the vehicle battery. For customers who only take short, infrequent trips, this version is perfect (no extra battery or charger).

The Joey lift uses the third seat row floor pockets for mounting. In most installations extra drill holes are not needed.

The vertical and horizontal speed is programmable to meet a user's needs.



# Joey Hardwire platform lift

## Secure before loading

Secure the wheelchair while placed on the platform outside the vehicle. The belts are within reach and you can forget about searching for securement belts inside the compartment.



Joey is delivered as standard with belts that are manually tightened.

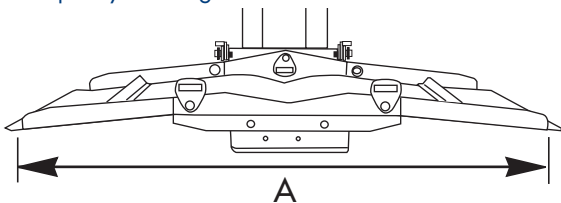


## Safety

- An obstruction sensor makes sure no foreign object interferes with the lifts movement inside the vehicle.
- The lift has a manual back-up system.

## Measurements:

Platform: 69 cm x 112 cm  
 A: Maximum wheel base, wheelchair: 96,5 cm  
 Joey, total length: 115 cm  
 Joey total width: 112 cm  
 Joey, total height: 97 cm  
 Weight: 75 kg  
 Lift capacity: 159 kg



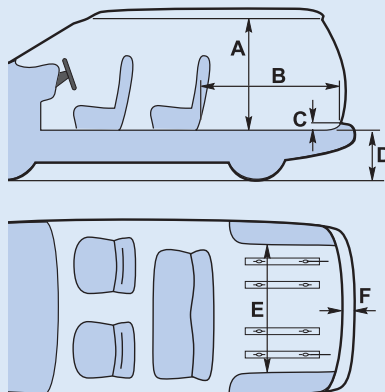
## Retractable belts

Retractable belts are available as option. Bear in mind that retractable belts add to the platform size at the rear end.



## Installation:

Joey uses the third seat row floor pockets and a fixing point by the rear door opening. The compact design leaves the second seat row unrestricted.



- A** 102 cm min. Floor ceiling and/or height of cargo opening for Joey tower only. Additional clearance may be required for scooter or power chair.
- B** 112 cm min. Inside edge of door sill to middle seats.
- C** 5 cm max. Sill height.
- D** 69 cm max. Floor of van to ground.
- E** 114 cm min. Between wheel housings and/or width of cargo opening for the Joey platform only.
- F** 33 cm max. Inside edge of door sill to outside edge of bumper.

## Load:



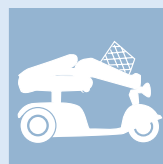
Power wheelchair, max 180 kg



Power wheelchair, max 180 kg



Scooter max 180 kg



Scooter max 180 kg



*All products presented in this brochure are CE-marked, crash tested and in compliance with standards and regulations for equipment installed in vehicles.*

[www.autoadapt.com](http://www.autoadapt.com)



**Autoadapt AB**, Åkerivägen 7,  
S-443 61 Stenkullen, Sweden  
Tel: +46 (0)302 25400 Fax: +46 (0)302 25407  
E mail: [contact@autoadapt.se](mailto:contact@autoadapt.se) [www.autoadapt.com](http://www.autoadapt.com)

**Autoadapt UK Ltd**, Unit 4, Windsor Industrial Estate,  
Rupert Street, Aston, B7 4PR Birmingham, UK  
Phone: 0121 3335170 Fax: 0121 3596194  
E mail: [contact@autoadapt.co.uk](mailto:contact@autoadapt.co.uk) [www.autoadapt.co.uk](http://www.autoadapt.co.uk)

